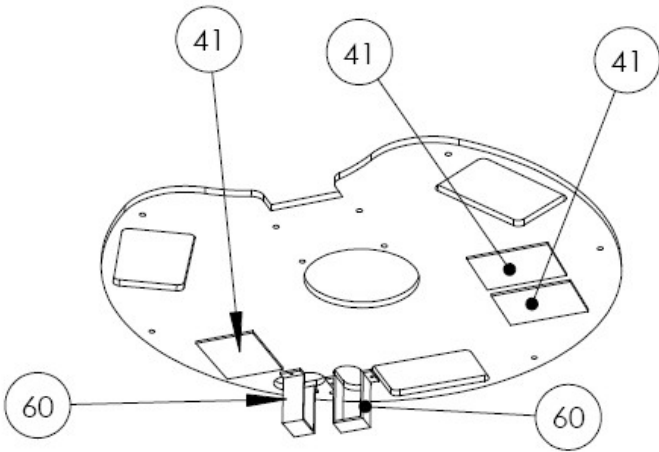
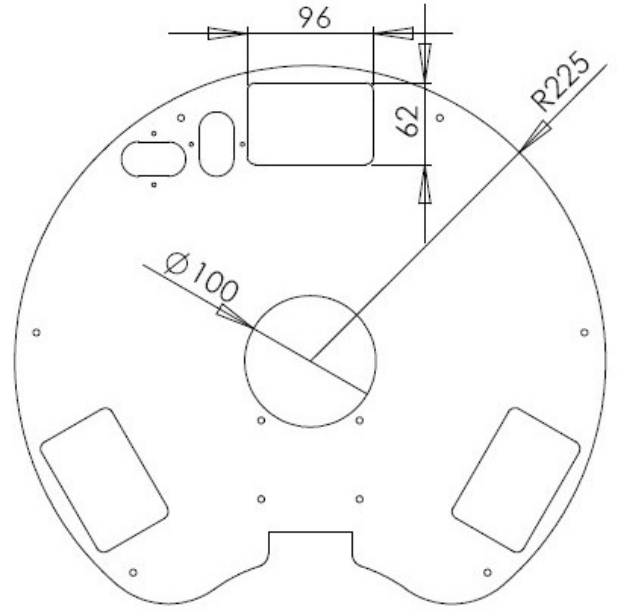
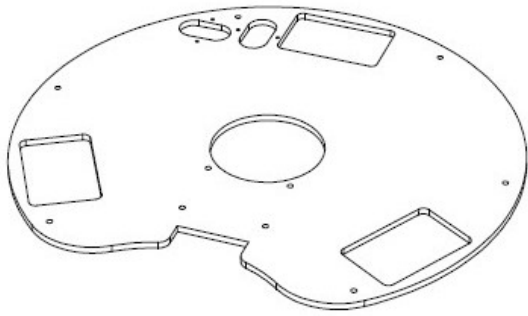


CAMBADA MECHANICAL DRAWINGS

Cambada Base



- 41 - Motor Controller Board
- 60 - Battery support

